



# City Ranger 3500 Salt and Sand Spreader

*When the winter's icy pathways are to be kept at bay, the salt and sand spreader is an all-important attachment to the City Ranger 3500: With a plough attached onto the front and the salt and sand spreader attached on the back, the City Ranger 3500 becomes a highly efficient snow removal and de-icing machine, and a very trustworthy provider of safe winter traffic.*

## Spreading efficiency

The spreader has an operating speed of up to 30 km/hour and an efficient spreading width going from 1.5 m up to 8 m. The spreading material is closely observed and managed from the cabin so that only a minimum amount of spreading material is used. The spreader handles most all de-icing materials to an even and uniform distribution.

## Rust-free durability

The salt and sand spreader is, of course, well protected against rust. Vital parts like the spreader plate, the grate, and the bottom plate under the feed screw are all made of stainless steel. The hopper is coated with a very strong finish of corrosion class C5, all the non-coated parts have a special wax protection and a tarpaulin curtain protects the machine against spatters of salt.

## Volume

The hopper has an extra large volume of 800 l due to a special design with upright and even sides which create a much wider bottom. A special feed system with agitator brushes in the upper part of the hopper directing the material to the feed screw in the bottom prevents clotting and a pressure reducing relief plate reduces the wear and tear on the feed screw.

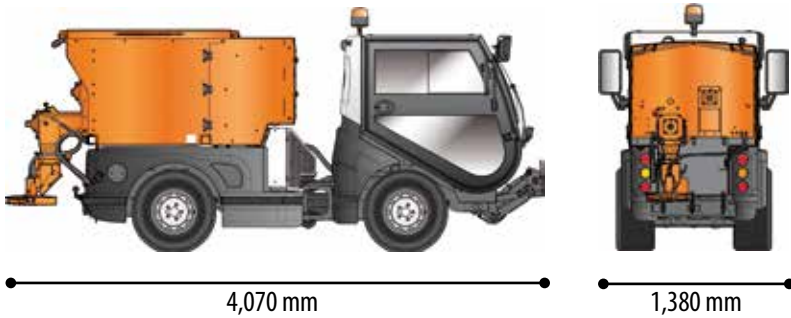


*With City Ranger 3500, attachment changeovers can be done in less than 10 minutes, which is the fastest changeover-time in this machine class*



# Technical data

## Salt and Sand Spreader



### Special features

- Spreads salt, gravel, sand and slag
- Fully speed dependent spreading
- Start-stop and management of dosage from the cabin
- Special feed system with feed screw and agitator brushes prevents blocking, crushes lumps and ensures precise and uniform spreading – ensures an even thawing of the ground
- Hopper volume of 800 l
- Operating speed up to 30 km/hour, highly efficient
- Safety stop for spreading disc device
- Vital parts like the spreader plate, the grid, and the bottom plate under the feed screw are all made of stainless steel
- Coated with a very strong finish - Corrosion class C5 (Shot blasting, zinc primer and two-component (2K) top coatings with UV protection)
- Special wax on all non-coated surfaces
- Two-piece folding tarpaulin to keep the spreader material dry
- LED working light is standard
- Stand for attaching/detaching of fully loaded hopper. The stand has wheels so that the salt and sand spreader can be moved into storage without any need for heavy lifting

### Extra equipment

Rust-free version where all parts are rust-free  
Sensor for indication of empty hopper  
Spreading sensor  
Rotating beacon

### Dimensions

#### Attached:

Length	4,070 mm
Width	1,380 mm
Height	1,890 mm

#### Storage dimensions:

Length	2,520 mm
Width	1,960 mm
Height w stand	1,890 mm

### Technical data:

Weight	330 kg
Weight - stand	60 kg
Volume	800 L
Loading height	1,890 mm
Spreading width	1.5-8 m
Salt amount per m <sup>2</sup> *	5-40 g
Sand amount per m <sup>2</sup> *	40-120 g
Operating speed	1-30 km/h
Distance per filling	2.25-12 km

CE certified according to EU Directive

\* Depending on spreading material

Your Nilfisk Outdoor Dealer